



# NFPA 70E Roundtable

Schneider Electric, electrical training Alliance,  
IBEW and NECA

Life Is On



presented by **WESTEX**  
*Milliken*



## Participants

- Phil Santoro  
Schneider Electric
- Rod West  
Schneider Electric
- Alan Manche  
Schneider Electric



## Participants

- Palmer Hickman  
Director Codes and Safety  
electrical training ALLIANCE



- James Dollard  
IBEW #98  
Safety Coordinator



## Participants

- Michael Johnston  
NECA Executive Director,  
Standards and Safety
- Wes Wheeler  
NECA Director of Safety



# 2018 NFPA 70E

- NFPA 70E Technical Committee Roundtable Discussion

presented by NECA, IBEW, etA and Schneider Electric

Life Is On | Schneider  
Electric



# How Changes in NFPA 70E Affect You

- Why is NPFA 70E important?
- Safety is A Shared Responsibility
  - Employers
  - Employees
  - Customers
- Effective Communication is Essential

Life Is On | Schneider  
Electric



## NFPA 70E – Standard for Electrical Safety in the Workplace

- How long has 70E been in existence?
- Why was NFPA 70E developed?
- When did Arc Flash become a recognized hazard according to NFPA 70E?

Life Is On | **Schneider**  
Electric



## NFPA 70E – Standard for Electrical Safety in the Workplace

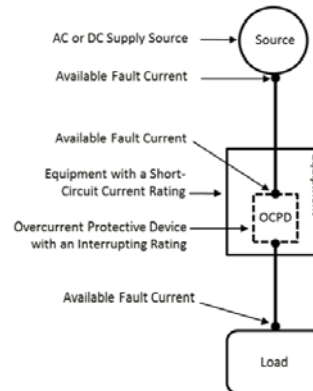
- How often is it revised and updated?
- What is involved in the change process for NFPA 70E?
- How does an individual get involved?

Life Is On | **Schneider**  
Electric



## Notable 2018 NFPA 70E Changes

- NEW Global Terminology:
  - “accident” with “incident”
  - “accidental” with “unintentional”
  - “accidentally” with “unintentionally”
  - “short circuit current” with “available fault current”



## Risk Assessment

- What changes have been made in the Risk Assessment Procedures found in NFPA 70E?
- What is “Risk?”
- What is a “Hazard?”



## Safety Programs and Job Safety Planning

- Are job briefings required by NFPA 70E?
- What is new and updated related to required Safety Programs found in NFPA 70E?
  - Article 110.1(B) Inspections
  - Article 110.1(J) Incident Investigations



## Emergency Response Training

- How often is Contact Release training required according to NFPA 70E?
- When is retraining required for First Aid, emergency procedures and CPR/AED?



## PPE Requirements

- What is the difference between ATPV and  $E_{BT}$ ?
- What are the triggers for PPE in NFPA 70E?
- What specific clarifications for PPE rubber gloves are included in 2018 NFPA 70E?



## Informative Annexes

- What is new in the informative annexes for NFPA 70E?
  - Informative Annex H.4  
Conformity Assessment of Personal Protective Equipment
  - Informative Annex Q  
Human Performance and Workplace Safety



# Closing Comments

- Phil Santoro – Schneider Electric
  
- Mike Johnston – NECA Executive Director,  
Standards and Safety

